

1
2
3
4b
5
6
7
8
9
10
11

SILVER-LINE **Dial Indicator**
DIN 878

- with magnetic backside
- solid brass housing, matt chrome finish
- stem and spindle stainless, hardened and lapped
- adjustable tolerance fingers
- with turnable scale by outer ring, for easy zero setting

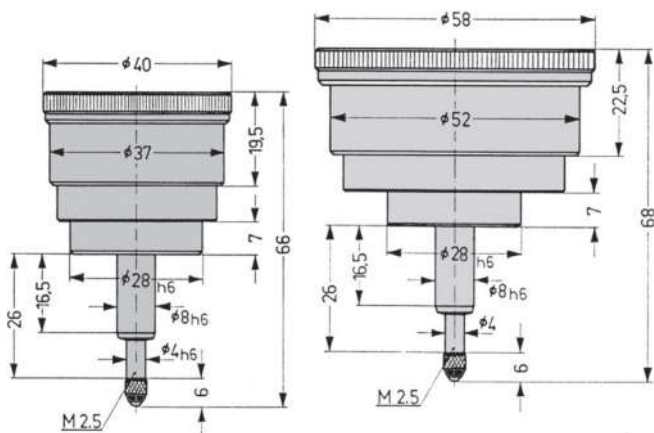


ART NO	mm	mm			A mm	B mm	C mm	D-ø mm	KG	ART NO CC
			yes	no						
240001/1	0 - 3	0.01	-	X	28	14	25	40	0.280	2494000
240101/1	0 - 10	0.01	-	X	40	18.5	25	58	0.380	2494000
240121/1	0 - 3	0.01	✓	-	28	14	25	40	0.280	2494000
240131/1	0 - 10	0.01	✓	-	40	18.5	25	58	0.380	2494000

SILVER-LINE **Dial Indicator**

- with probe in the center of the back plate
- especially for measuring in appliances and tool engineering

- solid brass housing, matt chrome finish
- stem and spindle stainless, hardened and lapped
- adjustable tolerance fingers
- with turnable scale by outer ring, for easy zero setting



ART NO	mm	mm	mm	number of pointers	housing-ø	KG	ART NO CC
240020	0 - 3	0.01	1.0	2	58	0.330	2494000
240021	0 - 5	0.01	1.0	2	58	0.330	2494001
240023	0 - 3	0.01	0.5	2	40	0.210	2494001
240024	0 - 5	0.01	0.5	2	40	0.210	2494002