

SILVER-LINE Dial Test Indicator
DIN 2270

- for toolmakers, for checking of difference measurement
- to check the parallelism, smoothness and trough running

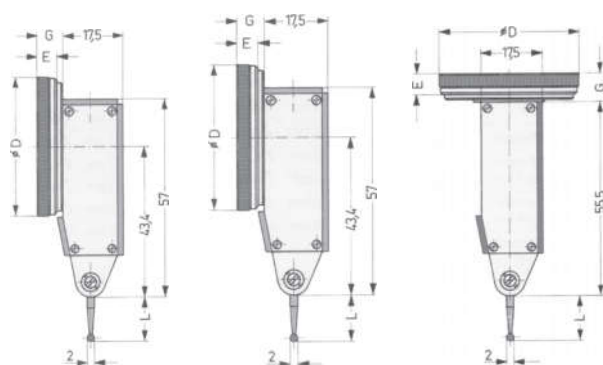
- solid brass housing, matt chrome finish
- with friction clutch, means shock proof
- housing with dovetail guide
- important bearings machined in ceramic stones
- carbide measuring ball- \varnothing 2 mm, exchangeable
- contact points reverses, always maintaining clockwise
- scale mounted in turnable knurled grip ring



ART No form A	ART No form B	ART No form C	mm	measuring range mm	mm	L mm	\varnothing D mm	quantity of dovetail guides			ART No CC	
									form A+B	form C		
240600	240601	240602	0 - 40 - 0	0.8	0.01	12	32	3	2	0.070	2494600	
240610	240611	240612	0 - 100 - 0	0.2	0.002	12	32	3	2	0.070	2494610	
240630	240631	240632	0 - 25 - 0	0.5	0.01	35	32	3	2	0.070	2494630	
240640	240641	240642	0 - 40 - 0	0.8	0.01	12	40	3	2	0.080	2494640	
240650	240651	240652	0 - 25 - 0	0.5	0.01	35	40	3	2	0.080	2494650	
240660	240661	240662	0 - 100 - 0	0.2	0.002	12	40	3	2	0.080	2494660	

Dimensions of Dial Test Indicators
DIN 2270

article-type	D mm	E mm	G mm	H mm
240600+240610	32	5.6	7.1	-
240601+240611	32	5.6	7.7	69.5
240602+240612	32	5.6	7.5	-
240630	32	5.6	7.1	-
240631	32	5.6	7.7	69.5
240632	32	5.6	7.5	-
240640+240660	40	6.0	7.5	-
240641+240661	40	6.0	8.1	73.5
240642+240662	40	6.0	7.9	-
240650	40	6.0	7.5	-
240651	40	6.0	8.1	73.5
240652	40	6.0	7.9	-



BLUE-LINE Dial Test Indicator

- standard quality
- solid brass housing, matt chrome finish
- carbide measuring ball \varnothing 2,5 mm, exchangeable
- contact points reverses, always maintaining clockwise
- scale mounted in turnable knurled grip ring
- incl. clamp holder \varnothing 6 mm + \varnothing 8 mm at art.-no. 246600 until 246660



Accessories for test indicators can be found on page 144

ART No	form	mm	measuring range mm	mm	L mm	\varnothing D mm	quantity of dovetail guides		ART No CC
246600	A	0 - 40 - 0	0.8	0.01	13.5	30.0	3	0.065	2494600
246610	A	0 - 100 - 0	0.2	0.002	13.5	30.0	3	0.065	2494610
246640	A	0 - 40 - 0	0.8	0.01	16.5	37.5	3	0.075	2494640
246641	A	0 - 40 - 0	0.8	0.01	43.4	30.0	3	0.090	2494640
246660	A	0 - 100 - 0	0.2	0.002	13.5	37.5	3	0.076	2494660
246661	A	0 - 40 - 0	0.8	0.01	43.4	37.5	3	0.090	2494660
246690	D	0 - 40 - 0	0.8	0.01	13.5	37.5	3	0.095	2494640
246691	D	0 - 40 - 0	0.8	0.01	13.5	30.0	3	0.085	2494640
246692	C	0 - 40 - 0	0.8	0.01	13.5	37.5	3	0.095	2494640
246693	C	0 - 40 - 0	0.8	0.01	13.5	30.0	3	0.085	2494640