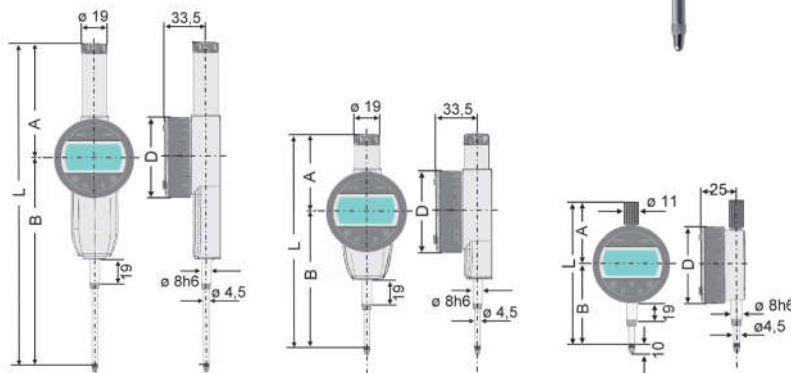


V DIGI PLUS-LINE **„Absolute“ Electr. Digital Dial Indicator • IP65**

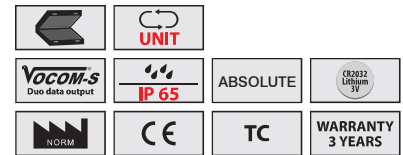
- water and coolant acc. to DIN 40050 / IEC 60529
- with **VOCOM-s** duo data output, top model (connectivity also for Digimatic measuring devices)
- mechanical parts in stainless steel, hardened
- housing IP65 protected, front plate made of plastic, 330° swiveling
- large LCD display with clear reading, digit height 10 mm
- On/Off button, ABS/INC measuring system, with ORIGIN system
- min/max, tolerance, ± pre-select value, PRESET, zero setting at any position
- mm/inch switchable
- incl. 1x 3 V battery (type CR2032, art.-no.: 2002093), with operation manual

Options

- lifting device as spare part (art.-no.: 249994)
- data transfer via cabel, art.-no. 2420194, see page 304
- data transfer via WiFi, art.-no. 2040101, see page 304
- data transfer via Bluetooth, art.-no. 2023106 + 209000, see page 304



from up 25 mm incl. lifting device



ART No	mm / inch	mm / inch	mm	max mm	L mm	A mm	B mm	D mm	KG	ART No CC
240250	12.7 / 0.5	0.01 / 0.0005	0.002	0.02	129.2	60.2	69	60.1	0.169	2494200
240255	12.7 / 0.5	0.001 / 0.00005	0.002	0.003	129.2	60.2	69	60.1	0.169	2494200
240251	25.4 / 1.0	0.01 / 0.0005	0.002	0.02	159.2	57.7	101.5	60.1	0.280	2494201
240256	25.4 / 1.0	0.001 / 0.00005	0.002	0.003	159.2	57.7	101.5	60.1	0.280	2494201
240252	50.8 / 2.0	0.01 / 0.0005	0.002	0.04	236.2	83.7	152.5	60.1	0.340	2494202
240257	50.8 / 2.0	0.001 / 0.00005	0.002	0.005	236.2	83.7	152.5	60.1	0.340	2494202

Explore our website!



Any questions?
We are pleased to advise!

1
2
3
4a
5
6
7
8
9
10
11