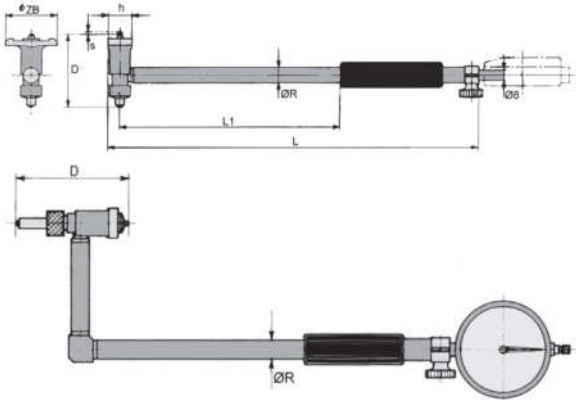


## **SILVER-LINE** Bore Gauge Set without Dial Indicator

- for quick and easy measuring of bores
- high precision quality, especially for workshop use

- steel tube, stainless, with insulation plate
- measuring bolts hardened or made of carbide available
- repeatability at sizes:  
4.5 – 290 mm = fw < 0.5 μm, 280 – 800 mm = fw < 1.5 μm
- deviation range at sizes:  
4.5 – 290 mm = fe < 2.0 μm, 280 – 800 mm = fe < 3.0 μm
- with calibration certificate
- with operation manual



ART NO steel contact points	ART NO carbide contact points	D mm	quantity of contact points	L1 mm	L mm	R ø mm	s mm	h mm	ZB ø mm	KG
-	230720	4.5 - 6	9	80	147	4	0.35	2.00	4.0	0.450
-	230721	6 - 8	7	100	165	5	0.50	2.60	5.2	0.450
-	230722	8 - 12	9	100	165	5	0.70	3.25	6.5	0.450
-	230723	12 - 20	9	110	204	8	0.90	4.50	9.0	1.000
230700	230724	18 - 35	9	110	206	8	1.30	5.40	14.8	0.900
230701	230725	35 - 60	6	138	243	10	1.30	7.00	28.0	0.900
230702	230726	50 - 100	11	177	295	12	1.40	8.50	45.0	1.200
230703	230727	50 - 150	11	177	295	12	1.40	8.50	45.0	1.250
230704	230728	100 - 160	7	234	365	18	1.60	11.50	75.0	2.300
230705	230729	100 - 230	7	234	365	18	1.60	11.50	75.0	2.300
230706	230730	160 - 290	7	234	365	18	1.60	11.50	120.0	3.800
230707	230731	160 - 360	7	234	365	18	1.60	11.50	120.0	3.800
230708	230732	280 - 410	7	400	550	24	2.60	16.00	165.0	6.000
230709	230733	280 - 510	7	400	550	24	2.60	16.00	165.0	6.000
230710	230734	400 - 800	11	700	855	24	2.60	17.50	300.0	10.500

## **SILVER-LINE** Extension for Bore Gauges

- for internal micrometer series 230701 - 230734
- suitable from up bore-ø 35 mm

- plug-in connection
- dial indicator shaft-ø 8 mm



ART NO	mm	pipe-ø mm	ART NO	mm	pipe-ø mm
230790	250	12	230794	1000	18
230791	500	12	230795	1500	18
230792	750	12	230796	2000	18
230793	1000	12	-	-	-