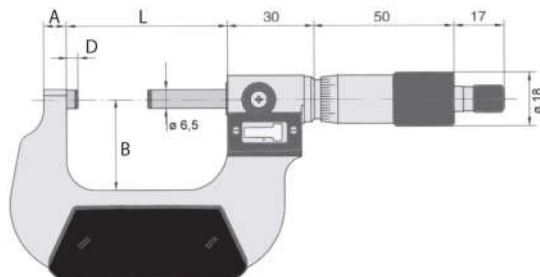


★★★★★
BLUE-LINE® Digital Counter External Micrometer

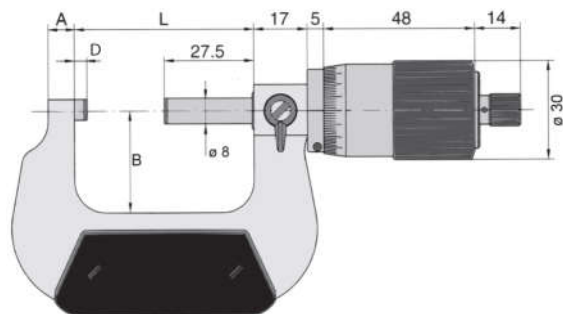
- easy handling and precise reading
- mechanical digital counter, frame lacquered, with insulation plates
- carbide surfaces, lapped, spindle hardened and ground
- with ratchet for constant measuring pressure
- locking wheel for quick and precise fixing
- with adjustment key, from up 25 mm with setting gauge



| ART NO | mm | mm | ø mm | A mm | B mm | D mm | L mm | max. mm | KG | ART NO CC |
|--------|----------|------|------|------|------|------|------|---------|-------|-----------|
| 231451 | 0 - 25 | 0.01 | 18 | 6 | 26 | 3.5 | 32 | 0.004 | 0.370 | 2394000 |
| 231452 | 25 - 50 | 0.01 | 18 | 8 | 32 | 3.5 | 57 | 0.004 | 0.525 | 2394001 |
| 231453 | 50 - 75 | 0.01 | 18 | 8 | 44.5 | 3.5 | 82 | 0.005 | 0.685 | 2394001 |
| 231454 | 75 - 100 | 0.01 | 18 | 8 | 57 | 3.5 | 107 | 0.005 | 0.845 | 2394001 |

★★★★★
BLUE-LINE® External Micrometer
 DIN 863

- with 100-step graduation
- drum and sleeve matt chrome, frame lacquered, with insulation plates
- carbide surfaces lapped, spindle hardened and ground
- locking lever for quick and precise fixing
- with friction ratchet for constant measuring pressure
- with adjustment key, from 25 mm with setting gauge



| ART NO | mm | mm | ø mm | mm | A mm | B mm | D mm | L mm | max. mm | KG | ART NO CC |
|--------|----------|------|------|-----|------|------|------|------|---------|-------|-----------|
| 230351 | 0 - 25 | 0.01 | 30 | 1.0 | 6 | 24 | 4.5 | 32 | 0.004 | 0.590 | 2394000 |
| 230352 | 25 - 50 | 0.01 | 30 | 1.0 | 8 | 32 | 4.5 | 57 | 0.004 | 0.695 | 2394001 |
| 230353 | 50 - 75 | 0.01 | 30 | 1.0 | 8 | 45 | 4.5 | 82 | 0.005 | 0.820 | 2394001 |
| 230354 | 75 - 100 | 0.01 | 30 | 1.0 | 8 | 57 | 4.5 | 107 | 0.005 | 0.910 | 2394001 |