

1  
2  
3  
4  
5  
6c  
7  
8  
9  
10  
11

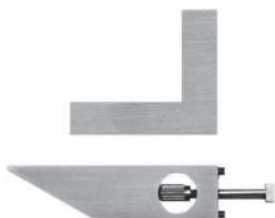
## ★★★★★ DIGI PLUS-LINE® Electr. Digital Universal Bevel Protractor Set

- with USB data output
- with 3 blades (150 / 200 / 300 mm), 90° square and angle stop
- stainless steel, hardened and fine ground
- rugged ABS-plastic housing, multifunctional display
- with fine adjustment for easy adjustment and fixing device for the blade
- large LCD display with clear reading
- two display lines, resolution in 1. line with 0.005° and in 2. line with min. 10"
- preset to 360° / 180° / 90°, two measuring directions selectable
- On/Off button, mode-button, set-button, zero setting at any position
- operation temperature 0°C ~ +40°C, storage temperature -10°C ~ +60°C
- incl. 1x 3 V battery (type CR2032, art. no.: 2002093), with operation manual



### Option

- data transfer via cable, art.-no. 2420192, see page 304



ART NO	length of blade mm					ART NO CC
320100	150 / 200 / 300	360° / 2x 180° / 4x 90°	0.005° / 10"	5'	0.350	3294022

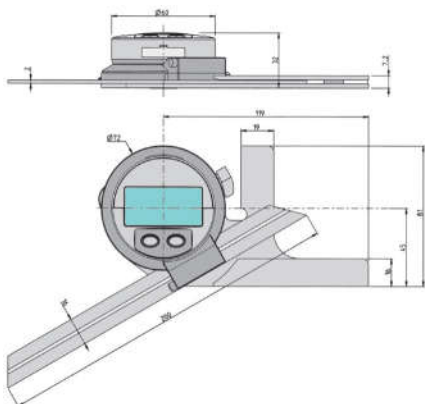
## ★★★★★ DIGI PLUS-LINE® Electr. Digital Univ. Bevel Protractor • IP51

- with data output Opto RS232
- spraywater resistant acc. to DIN 40050 / IEC 60529
- base plate and rulers stainless, hardened
- robust ABS plastic housing, multi-functional display
- with fine adjustment for easy adjustment and quick clamping of the measuring rail
- large LCD display with clear reading
- resolution 1 arc minute or decimal 0.01 degree angle
- preset values in 360° / 180° / 90°, two selectable measuring directions
- On/Off button, Mode button, Set button, zero setting at any position
- operating temperature 0°C ~ +40°C, storage temperature -10°C ~ +60°C
- incl. 1x 3 V battery (type CR2032, art. no.: 2002093), with operation manual



### Option

- data transfer via cable, art.-no. 2002610, see page 304



Accessories can be found on page 205

Option:  
Opto RS232 data cable duplex



ART NO	length of blades mm					ART NO CC
320150	150	360° / 2 x 180° / 4 x 90°	0.01° / 1'	2'	0.370	3294020
320151	200	360° / 2 x 180° / 4 x 90°	0.01° / 1'	2'	0.375	3294020
320152	300	360° / 2 x 180° / 4 x 90°	0.01° / 1'	2'	0.380	3294020