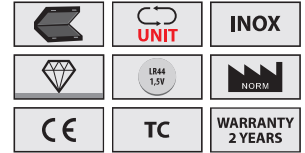
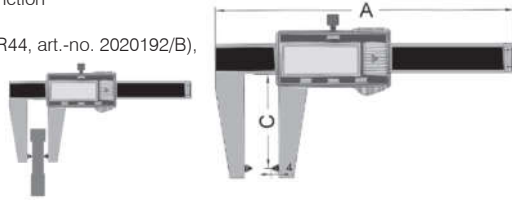


1  
2d  
3  
4  
5  
6  
7  
8  
9  
10  
11

## ★★★★★ DIGI PLUS-LINE® Electr. Digital Brake Disc Caliper workshop grade

- fast and easy measurement of the brake disc thickness

- stainless steel, hardened
- LCD display with clear reading, digit height 9 mm
- conical, hardened knife points
- zero setting at any position, mm/inch switchable
- On/Off button, with HOLD function
- fixing screw
- incl. 2x 1.5 V battery (type LR44, art.-no. 2020192/B), with operation manual

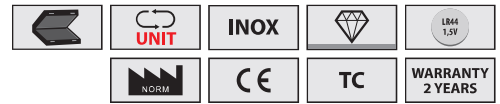
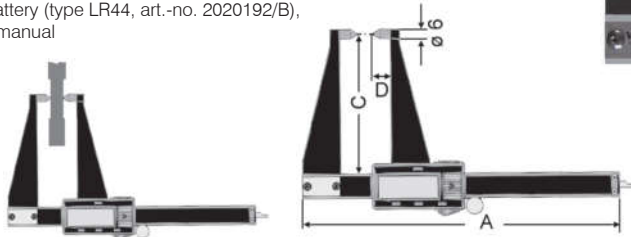


ART N°	mm / inch	mm / inch	mm	max. mm	A mm	C mm	KG	ART N° CC
206020	60 / 2.4	0.01 / 0.0005	0.01	0.04	158	50	0.165	2094101

## ★★★★★ DIGI PLUS-LINE® Electr. Digital Brake Disc Caliper workshop grade

- fast and easy measurement of the brake disc thickness

- stainless steel, hardened
- LCD display with clear reading, digit height 9 mm
- conical, hardened knife points, measuring jaws made of lacquered sheet steel
- zero setting at any position, mm/inch switchable
- depth gauge
- On/Off button, with HOLD function
- incl. 2x 1.5 V battery (type LR44, art.-no. 2020192/B), with operation manual

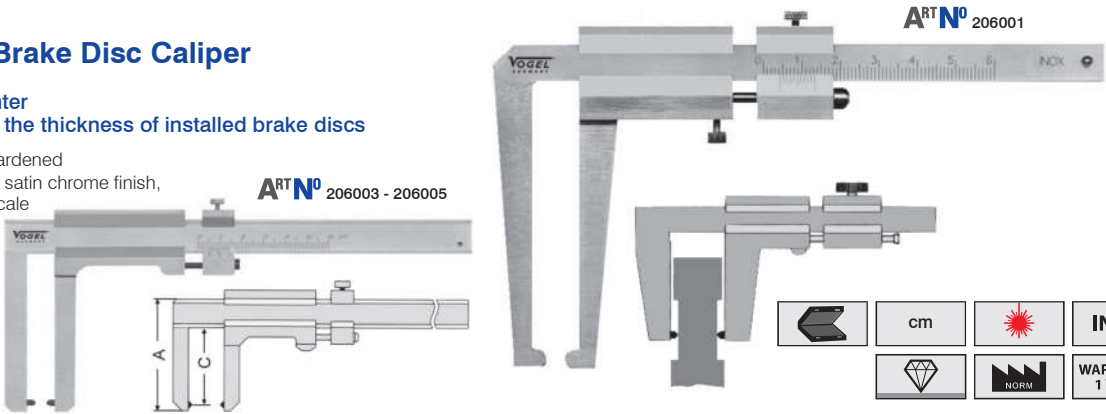


ART N°	mm / inch	mm / inch	mm	max. mm	A mm	C mm	D mm	KG	ART N° CC
206021	100 / 4	0.01 / 0.0005	0.01	0.05	208	91.5	11.5	0.165	2094101

## BLUE-LINE® Brake Disc Caliper

- with drag pointer
- for measuring the thickness of installed brake discs

- stainless steel, hardened
- scale and vernier satin chrome finish, laser engraved scale



ART N°	mm	mm	A mm	C mm	mm	KG	ART N° CC
★★★★★ 206001	0 - 60	0.10	86	74	77	0.120	2094601
★★★★★ 206003	0 - 60	0.10	67	50	55	0.130	2094601
★★★★★ 206004	0 - 60	0.10	102	79	83	0.250	2094601
★★★★★ 206005	0 - 90	0.10	142	119	120	0.325	2094601