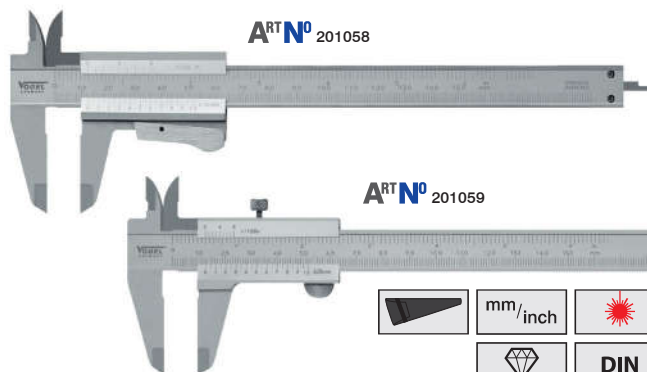
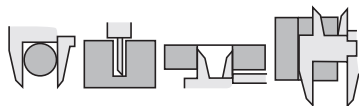


BLUE-LINE **Pocket Vernier Caliper**
DIN 862

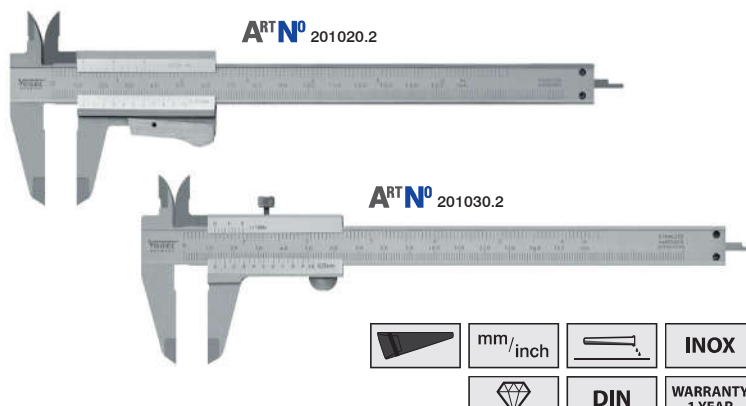
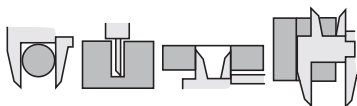
- for craftsmen
- stainless, hardened
- reading in mm/inch, scale laser engraved
- scale and vernier satin chrome finish
- jaws fine ground, flat depth gauge
- mono-block vernier



| ART No | ART No | mm / inch | mm bottom | inch top | | | | KG | ART No CC |
|---------------|--------------|-----------|-----------|----------|----|----|------|-------|-----------|
| thumb locking | fixing screw | | | | | | | | |
| 201058 | 201059 | 150 / 6 | 0.05 | 1/128 | 40 | 16 | flat | 0.155 | 2094001 |

BLUE-LINE **Pocket Vernier Caliper**
DIN 862

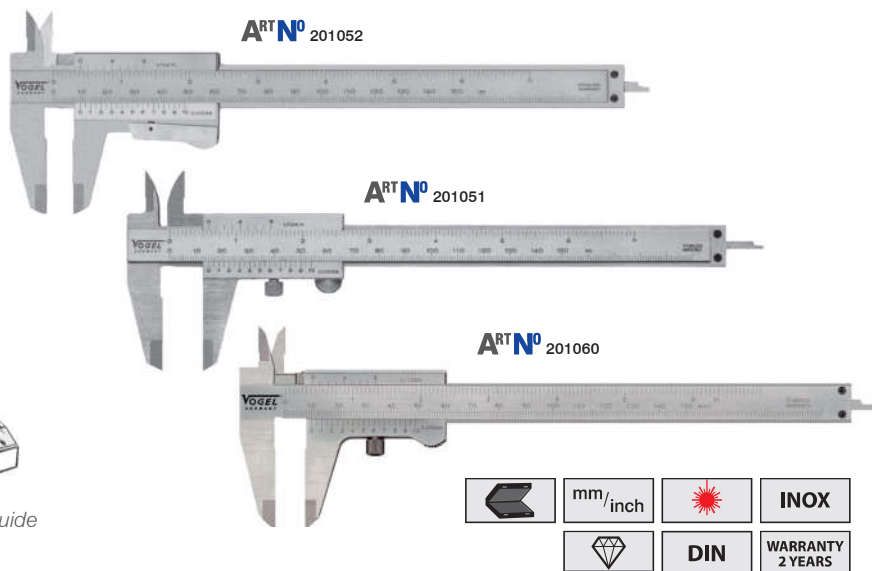
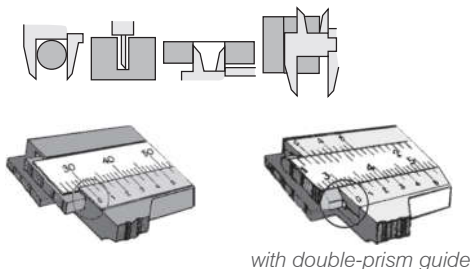
- simple quality for DIY and training purposes
- inox, hardened
- graduation in mm/inch, scale etched
- reading satin chrome finish, flat depth gauge
- jaws finely ground and lapped



| ART No | ART No | mm / inch | mm bottom | inch top | | | | KG |
|---------------|--------------|-----------|-----------|----------|----|----|------|-------|
| thumb locking | fixing screw | | | | | | | |
| 201020.2 | 201030.2 | 150 / 6 | 0.05 | 1/128 | 40 | 16 | flat | 0.155 |

BLUE-LINE **Pocket Vernier Caliper**
DIN 862

- with parallaxfree reading
- art.-no. 201060 with double-prism guide
- stainless steel, hardened
- graduation in mm/inch, laser engraved scale
- reading satin chrome finish
- jaws finely ground and lapped, flat depth gauge
- mono-block vernier



| ART No | ART No | mm / inch | mm bottom | inch top | | | | KG | ART No CC |
|---------------|--------------|-----------|-----------|----------|----|----|------|-------|-----------|
| thumb locking | fixing screw | | | | | | | | |
| ★★★★☆ 201052 | ★★★★☆ 201051 | 150 / 6 | 0.05 | 1/128 | 40 | 16 | flat | 0.155 | 2094001 |
| ★★★★☆ 201054 | ★★★★☆ 201053 | 150 / 6 | 0.02 | 1/1000 | 40 | 16 | flat | 0.155 | 2094001 |
| - | ★★★★☆ 201060 | 150 / 6 | 0.05 | 1/128 | 40 | 16 | flat | 0.155 | 2094001 |