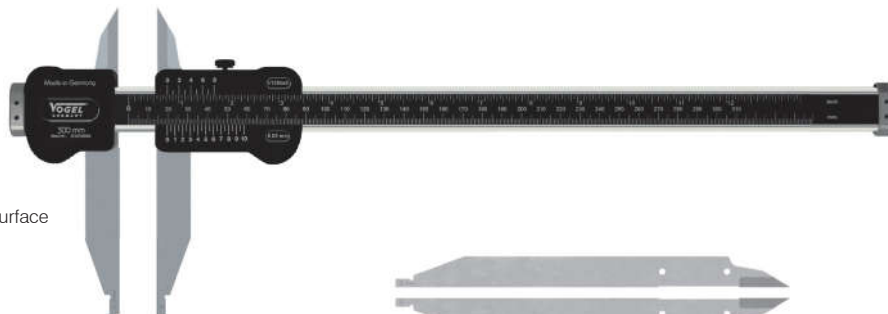


SILVER-LINE® Workshop Caliper
DIN 862

- parallaxfree finished, with flat vernier
- with exchangeable jaws
- modern design, lightweight model, made of anodized hard aluminium
- stainless, hardened measuring jaws and tips
- jaws finely ground
- good contrast scaling because of white on black surface
- reading in mm and inch
- slides perfectly because of double-prismatic-lead
- rail and housing made of anodized aluminium
- with operation manual



measuring jaw-pair

Options

- **art. no. 200890**
measuring jaw-pair, jaw length 90 mm, exchangeable
- **art. no. 200891**
measuring jaw-pair, jaw length 125 mm, exchangeable
- **art. no. 200892**
measuring jaw-pair, jaw length 150 mm, exchangeable



ART NO	mm / inch	mm bottom	inch top	mm / inch	mm / inch	ø mm	KG	ART NO CC
200831	300 / 12	0,05	1/128	90	40	10	0.500	2094030
200832	500 / 20	0,05	1/128	90	40	10	0.600	2094050
200833	700 / 28	0,05	1/128	90	40	10	0.700	2094080
200834	900 / 36	0,05	1/128	90	40	10	0.800	2094100

DIGI PLUS-LINE® „Absolute“ Digital Caliper for Inside or Outside Grooves • IP54
DIN 862

NEW

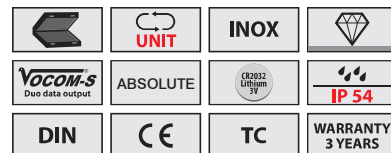
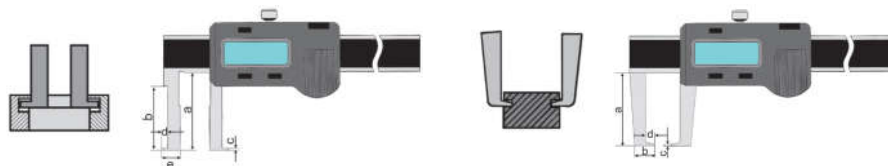
- art.-no. 201082 - 201084 for inside groove measuring
- art.-no. 201096 - 201098 for outside groove measuring
- top model for industry purposes
- with glass rail for more accuracy
- spray water proof acc. to DIN 40050 / IEC 60529
- with **VOCOM-s** duo data output, top model (connectivity also for Digimatic measuring devices)



- sturdy quality, stainless steel, hardened
- large LCD display with clear reading, 9 mm digit height
- jaws finely ground and lapped, with fixing screw
- On/Off button, with „ORIGIN“ system, with thumbroll
- mm/inch switchable, zero setting at any position
- incl. 1x 3 V battery (type CR2032, art.-no.: 2002093), with operation manual

Options

- data transfer via cable, art.-no. 2420194, see page 304
- data transfer via WiFi, art.-no. 2040101, see page 304
- data transfer via Bluetooth, art.-no. 2023106 + 209000, see page 304



ART NO	type	mm / inch	mm / inch	mm	mm / inch	A mm	B mm	C mm	D mm	KG
201082	inside	20-150 / 0-6	0.01 / 0.0005	0.01	0.03 / 0.0015	36	15	1	6	0.170
201083	inside	25-200 / 0-8	0.01 / 0.0005	0.01	0.03 / 0.0015	36	15	1	6	0.200
201084	inside	30-300 / 0-12	0.01 / 0.0005	0.01	0.04 / 0.002	56	15	1	6	0.225
201096	outside	0-150 / 0-6	0.01 / 0.0005	0.01	0.03 / 0.0015	40	15	1,8	5	0.170
201097	outside	0-200 / 0-8	0.01 / 0.0005	0.01	0.03 / 0.0015	50	19,5	1,8	7	0.200
201098	outside	0-300 / 0-12	0.01 / 0.0005	0.01	0.04 / 0.002	60	21	1,8	8	0.225